



THERMOCARE

Cosy and safe warming beds for our little ones

THERMOCARE

The product line THERMOCARE is the result of decades of experience in warming therapy. Its development is focused on the patients' needs as well as the users' requirements and is a cost-conscious alternative when babies are requiring surveillance in the intermediate care unit.

THERMOCARE warming beds create an ideal and thermally stable environment for the small patients, supporting their development.

A modular system, suitable for all requirements:



THERMOCARE K

Warming bed with under-pad heating, static height or height-adjustable



THERMOCARE C

Warming bed with radiant warmer, static height or height-adjustable



THERMOCARE KCE

Warming bed with under-pad heating and radiant warmer, height-adjustable

Choose from:

Wall assembly 170 mm or 250 mm high; Canopy, one-piece or two-piece



Focus on the patient

The bed allows optimum working conditions for the user. It can be tilted up and down by one hand, with the patient remaining centrally below the radiant warmer. The baby is not exposed to temperature fluctuations and the distance to connected monitors and devices remains the same.

All walls can be folded down by one hand allowing unimpeded access for users and parents.

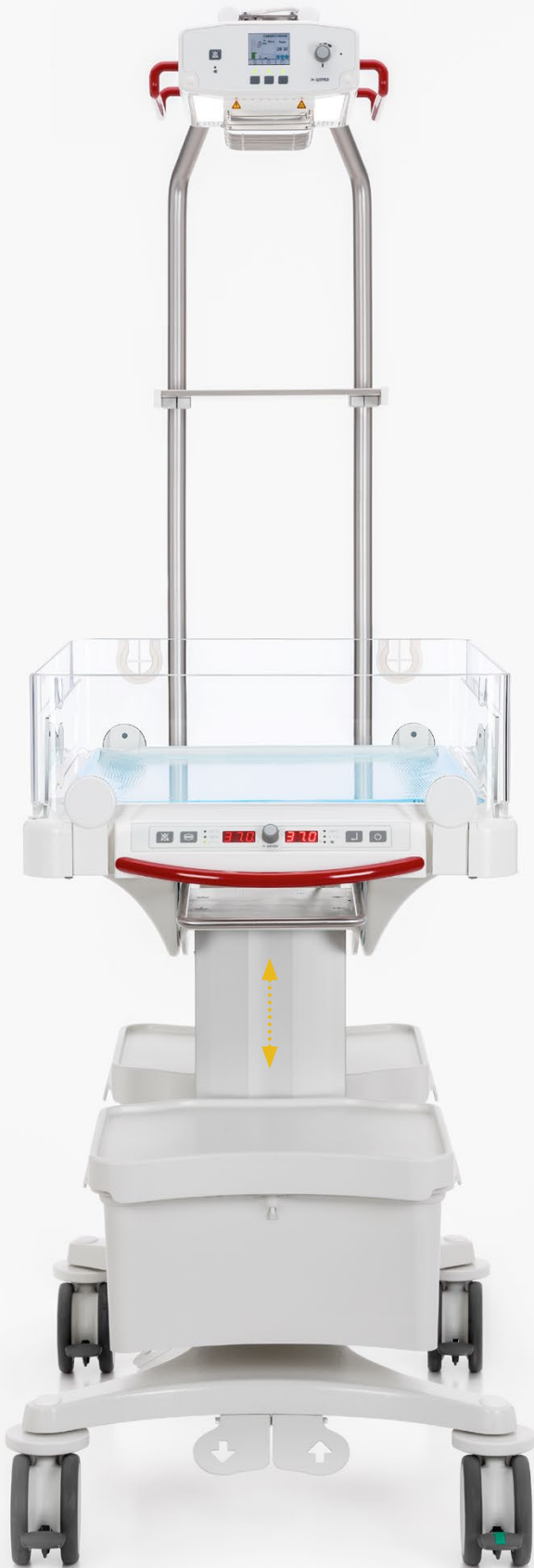
Additional safety side walls prevent the infant from falling out of the bed if unattended. During care, these walls can be retracted into the bed.

Built in convenient storage

During care it is important to have necessary items available at all times. The drawers of the warming bed are accessible from all sides and in every situation.



THERMOCARE



Sensible, cosy radiant warming

Depending on the model, THERMOCARE warming beds are equipped with a radiant warmer. The long-wave infrared heat is not visible, very gentle and the patient feels cosy and warm.

Actively heated gel pad

Depending on the configuration, an actively heated gel pad supports the stabilisation of the body temperature. The large volume of accumulated heat in the gel pad provides perfect thermal balance to the baby and supports quick warming of hypothermic patients.

The soft and warm gel pad reminds the baby of the contact with the parents' skin and it becomes calm and content. A relaxed baby creates a positive atmosphere for parents and nursing staff.

In addition to this, the soft surface of the gel pad helps prevent pressure sore and provides comfort.

Radiant heat plus heated gel pad

The combination of long-wave infrared radiation and conductive heat from the gel pad creates ideal conditions for a thermally neutral environment in open care.

Soft-lift for gentle height adjustment

The bed's height can be adjusted smoothly with foot pedals. The baby does not startle by the movement and stays comfortable.

Adjustable lighting, always suitable

For the smallest patients the best light is just good enough. Infants, in particular new born babies are stressed when they are dazzled by a sudden glaring spotlight. Therefore the large-area lamps of the radiant warmer CERAMOTHERM® switch the light on and off gently. The small patients remain calm and feel cosy.

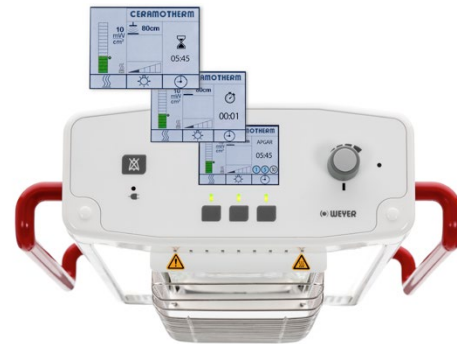
According to the current situation, the light intensity can be adjusted in 5 steps ensuring optimum light, day or night.



Integrated timers

The three timers integrated in the radiant warmer enable the THERMOCARE warming bed to give indication of either:

- Apgar timer for postnatal care of new born babies
- Stop watch, helpful for many applications
- Countdown timer, always indispensable for timewise limited applications



Changing the location - no problem

Sturdy smooth double castors provide a stable position of the THERMOCARE warming bed and allow easy movement. One castor is fitted with a steering lock which allows maneuvering around corners and furniture. Four bumpers protect the bed, surrounding furniture and walls from potential damage.



Integrated safety

THERMOCARE warming beds have been designed to be user-friendly and with the principle of integrated safety as top priority.

The concave form of the lying surface and the safety side walls prevent the baby from falling out of the bed.

When the gel pad is damaged, there is no leak of liquid.

The closed meshed steel safety guard of the radiant warmer prevents users and patients from touching the hot heating element.

Selected temperature and radiation intensity cannot be changed unintentionally.



THERMOCARE

High quality standard

THERMOCARE devices are developed and manufactured in Germany according to the current safety and quality standard.

The use of premium material and the solid workmanship guarantee a long life of the warming beds.

System synergies

WEYER devices build unique product lines with compatible components and elements. Amongst others these are:



Insufflation and suction
REANIMAT®-O2-Blend



Radiant warmer
CERAMOTHERM®



LED-Phototherapy device
BILICOMPACT® LED



**Under-pad heating device,
table-top module**
THERMOCARE Convenience



Open intensive care
VARIO THERM®



Incubator
THERMOCARE Vita

CONFIGURATION

- standard configuration
- essential for use
- optional accessory

All THERMOCARE devices are equipped with:

4 smooth double castors, 3 with total lock, 1 with steering lock, patient deck 480 x 760 mm with raised sides, head-up and head-down position adjustable up to $\pm 12^\circ$, 3 take-off sockets 230 V for additional devices.

Configuration of base device	Order No.	THERMOCARE K with under-pad heating		THERMOCARE C with radiant warmer		THERMOCARE KCE with under-pad heating and radiant warmer
		Static height	Height adjustment	Static height	Height adjustment	Height adjustment
		WY3001	WY3002	WY3003	WY3004	WY3006
Under-pad heating with gel pad		<input type="checkbox"/>	<input type="checkbox"/>	–	–	<input type="checkbox"/>
Soft-lift height adjustment, height of patient deck 850 - 1150 mm		–	<input type="checkbox"/>	–	<input type="checkbox"/>	<input type="checkbox"/>
Tube assembly for adapting a radiant warmer and further accessories		–	–	<input type="checkbox"/>	<input type="checkbox"/>	<input type="checkbox"/>
Radiant warmer CERAMOTHERM®		–	–	<input type="checkbox"/>	<input type="checkbox"/>	<input type="checkbox"/>

Wall assembly

(Compulsory order of WY3021 or WY3022)

Wall assembly 170 mm high, fold-down, 2 safety side walls	WY3022	<input checked="" type="checkbox"/>	<input checked="" type="checkbox"/>	<input checked="" type="checkbox"/>	<input checked="" type="checkbox"/>	<input checked="" type="checkbox"/>
Wall assembly 250 mm high, fold-down, 2 safety side walls	WY3021	<input checked="" type="checkbox"/>	<input checked="" type="checkbox"/>	<input checked="" type="checkbox"/>	<input checked="" type="checkbox"/>	<input checked="" type="checkbox"/>
Canopy one-piece for wall assembly 250 mm high (WY3021)	WY3024	<input checked="" type="checkbox"/>	<input checked="" type="checkbox"/>	<input checked="" type="checkbox"/>	<input checked="" type="checkbox"/>	<input checked="" type="checkbox"/>
Canopy two-piece for wall assembly 250 mm high (WY3021)	WY3025	<input checked="" type="checkbox"/>	<input checked="" type="checkbox"/>	<input checked="" type="checkbox"/>	<input checked="" type="checkbox"/>	<input checked="" type="checkbox"/>

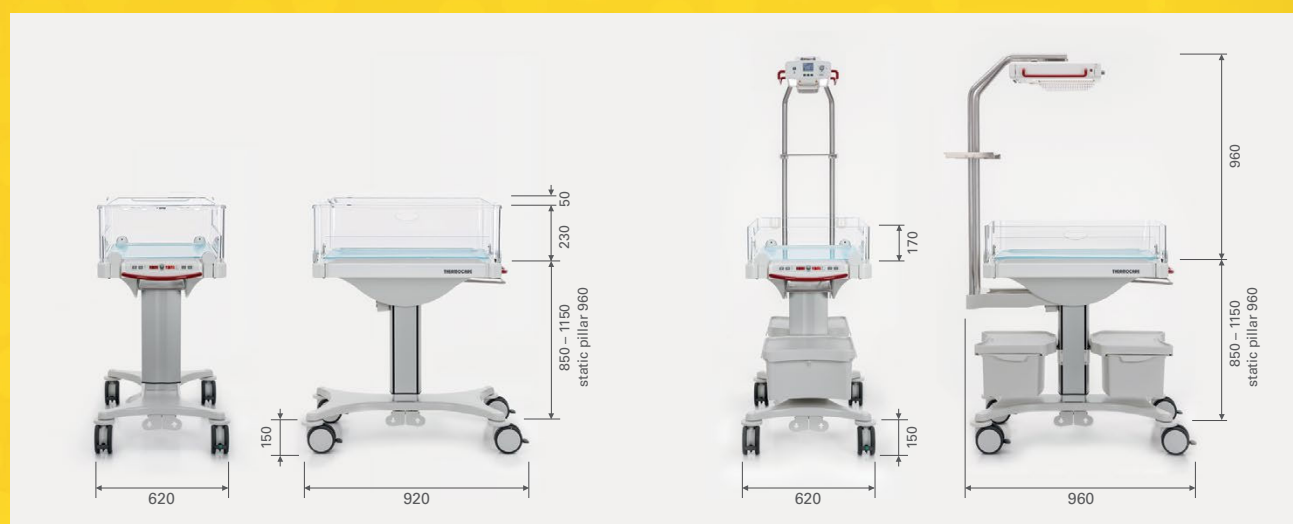
Additional equipment

Shelf fixed at the pillar, max. 4 shelves per device	WY3035	<input checked="" type="checkbox"/>	<input checked="" type="checkbox"/>	<input checked="" type="checkbox"/>	<input checked="" type="checkbox"/>	<input checked="" type="checkbox"/>
Arch-shaped drawer sliding out to both sides, fixed at the shelf WY3035, max. 2 drawers per device	WY3036	<input checked="" type="checkbox"/>	<input checked="" type="checkbox"/>	<input checked="" type="checkbox"/>	<input checked="" type="checkbox"/>	<input checked="" type="checkbox"/>
Additional pair of foot pedals for height adjustment	WY3032	–	<input checked="" type="checkbox"/>	–	<input checked="" type="checkbox"/>	<input checked="" type="checkbox"/>
Support for adapting 2 tubes $\varnothing 27$ mm	WY3051	<input checked="" type="checkbox"/>	<input checked="" type="checkbox"/>	–	–	–
Tube assembly $\varnothing 27$ mm, length 650 mm for adapting accessories	WY3055	<input checked="" type="checkbox"/>	<input checked="" type="checkbox"/>	–	–	–
Shelf 590 x 320 mm, fixed at the tubes $\varnothing 27$ mm and $\varnothing 40$ mm, with instrument rail and fixture for the canopy	WY3060	<input checked="" type="checkbox"/>	<input checked="" type="checkbox"/>	<input checked="" type="checkbox"/>	<input checked="" type="checkbox"/>	<input checked="" type="checkbox"/>
Shelf 240 x 300 mm, fixed at the tube assembly $\varnothing 27$ mm, with 2 instrument rails and fixture for the canopy	WY3061	<input checked="" type="checkbox"/>	<input checked="" type="checkbox"/>	<input checked="" type="checkbox"/>	<input checked="" type="checkbox"/>	<input checked="" type="checkbox"/>
Instrument rail fixed at the tube assembly $\varnothing 27$ mm	WY3064	<input checked="" type="checkbox"/>	<input checked="" type="checkbox"/>	<input checked="" type="checkbox"/>	<input checked="" type="checkbox"/>	<input checked="" type="checkbox"/>
Infusion holder, height-adjustable, fixed at the tube assembly $\varnothing 27$ mm	WY2076	<input checked="" type="checkbox"/>	<input checked="" type="checkbox"/>	<input checked="" type="checkbox"/>	<input checked="" type="checkbox"/>	<input checked="" type="checkbox"/>
Holder for four-poster, plugged in WY3051	WY3070	<input checked="" type="checkbox"/>	<input checked="" type="checkbox"/>	–	–	–
Holder for respiration tubes, fixed in the corner of the bed	WY3075	<input checked="" type="checkbox"/>	<input checked="" type="checkbox"/>	<input checked="" type="checkbox"/>	<input checked="" type="checkbox"/>	<input checked="" type="checkbox"/>



TECHNICAL DATA:

	THERMOCARE K static height, with under-pad heating	THERMOCARE K height-adjustable, with under-pad heating	THERMOCARE C static height, with radiant warmer	THERMOCARE C height-adjustable, with radiant warmer	THERMOCARE KCE height-adjustable, with under-pad heating + radiant warmer
Electrical parameters					
Under-pad heating	180 W	180 W	-	-	180 W
Soft-lift pillar	-	120 W	-	120 W	120 W
Radiant warmer CERAMOTHERM®	-	-	690 W	690 W	690 W
Take-off sockets for additional devices	3	3	3	3	2
Max. power input	2300 W				
Voltage	230 V / 50 - 60 Hz				
Operating parameters					
Head-up and head-down position adjustable to	± 12°				
Pad	PU gel		PU foam		PU gel
Selection range of under-pad heating Standard: 35 - 37°C, Extended: 30 - 38.5°C	Yes	Yes	-	-	Yes
Illumination	-	-	LED 2 x 850 lm - dimmable		
Colour temperature of the light	-	-	4000 K		
Heating element of radiant warmer / wave length	-	-	Ceramic / 1.5 – 6.8 µm		
Selection of radiation intensity	-	-	2 – 20 mW/cm²		
Function "automatic intensity reduction"	-	-	Yes		
Display of selected and actual value and residual heat	Yes				
Weight of device	66 kg	72 kg	73 kg	79 kg	80 kg
Classification according to Directive 93/42/EEC	II a		II a		II b



Weyer GmbH

Herrenhöhe 4, D-51515 Kürten-Herweg

Tel.: (+49) 02207 9698-0

Fax.: (+49) 02207 4750

E-Mail: info@weyermed.com

www.weyermed.com

